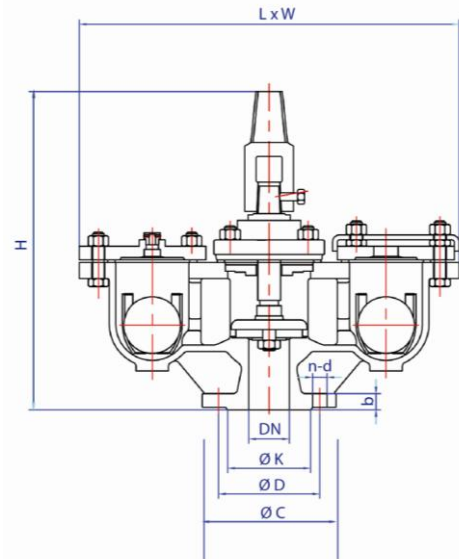


## DOUBLE ORIFICE STANDARD AIR VALVE VF-019



### STANDARD MATERIAL – MAIN PARTS

ITEM	PART NAME	MATERIAL
1	BODY	CAST IRON
2	FLOAT BALL	NBR
3	COVER	CAST IRON
4	STUFFING BOX	CAST IRON
5	GLAND	CAST IRON
6	SPINDLE	BRONZE
7	STEM NUT	BRONZE
8	SPINDLE CAP	CAST IRON
9	STOPPER WASHER	CAST IRON

### SPECIFICATIONS

STANDARD	JKR 20709 – 0331 - 94	
WORKING PRESSURE	1.6	
TEST PRESSURE	BODY	2.4
	SEAT	1.76
RESEAT PRESSURE	1.6 ~ 0.35	

DN	BS4504 - PN16					H	L	W
	D	C	K	b	n-d			
50	165	125	99	20	4-Ø19	415	468	184
80	200	160	132	22	8-Ø19	425	504	200
100	220	180	156	24	8-Ø19	480	520	236
150	285	240	211	26	8-Ø23	515	634	246
200	340	295	266	30	12-Ø23	615	752	310

